

PFTE 7121 Touch table motorized cabinet

Article number (SKU) 7371214
 Colour Silver

Key benefits

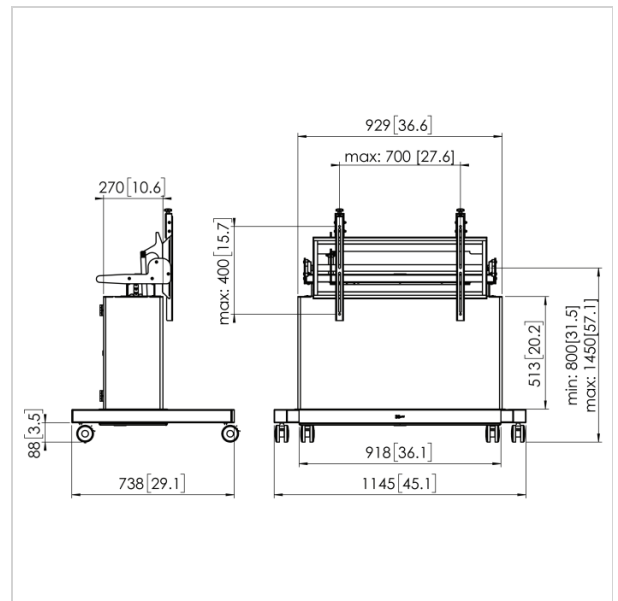
- Stylish design
- Easy to install
- Cables fully concealed
- Suitable for video conferencing
- Adjustable in height up to 50 cm

The Vogel's touch table supports interactivity in every context at every angle. Whether it is a museum, trade fair or an university, the touch table allows you to show your content at its best.

Vogel's touch table is designed to be used by multiple people at the same time. When you use the standup position, the touch table is perfect for presentations. When the display is completely flat, you have an immersive surface to draw and interact with its content. Thanks to its lift and tilt actuators there will always be an ergonomic and comfortable position to interact with it.

The table features a cabinet with ample space for a PC and is lockable so you are can be sure your electronics are safe.

The Vogel's touch table supports interactivity in every context at every angle.





PFTE 7121 Touch table motorized cabinet

VOGEL'S HOLDING BV 2018 (c) All rights reserved
 Subject to printing errors, technical and price
 amendments
 Date: 15-02-2018

www.vogels.com

Specifications

Product specifications

Product type number	PFTE 7121
Article number (SKU)	7371214
Colour	Silver
EAN single box	8712285337161
Tilt	Tilt up to 90°
Guarantee	5 years
Min. screen size (inch)	50
Max. screen size (inch)	85
Max. weight load (kg)	160
Min. hole pattern	100mm x 100mm
Max. hole pattern	700mm x 400mm

Technical specifications and dimensions

Max. height mid display (mm)	1300
Height of trolley/stand (mm)	800

Features

Functionality	Tilt
Remote controlled	Yes
Professional features	Cable Inlay System© Lockable Adjustable height Motorized
Cabinet	With cabinet
Movable or wall mounted	Movable

