

# PFFE 7131 Motorized display lift

Article number (SKU) 7371314  
 Colour Silver

## Key benefits

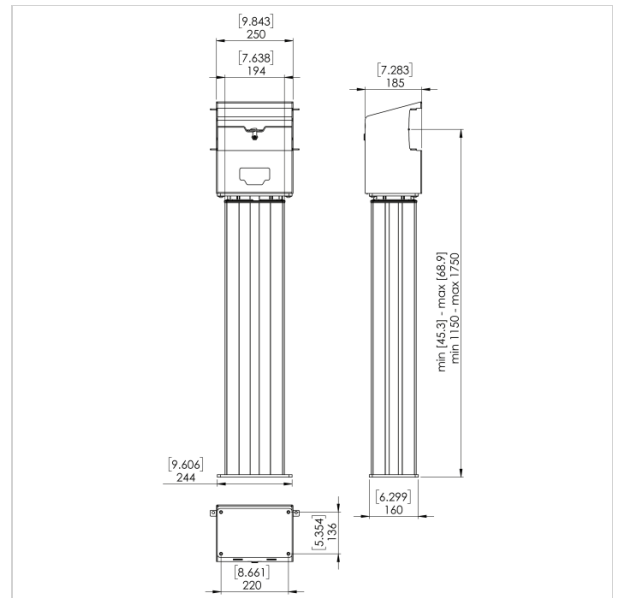
- Easy to install
- TÜV certified
- Solid construction
- For heavy displays

Vogel's motorized display lift is part of the modular Connect-it system. Together with the PFA 9134, PFF 7025 or PFT 8525 you can create floor or mobile solutions which allows educators and presenters to bring their content to new heights.

Schools, universities and companies are rapidly modernizing their classrooms and meeting rooms. Blackboards and whiteboards are being replaced by large interactive displays in order to create an immersive and engaging environment. Vogel's motorized display lift allows educators and presenters to bring their content to new heights. Whether your audience are children in kindergarten or the board of directors, they will always be able to interact with the content thanks to the display lift's unique 600 mm travel.

## Connect-it compatible

Vogel's motorized lift is a fresh component in our modular Connect-it Series and therefore compatible with our bars, strips and accessories. The motorized display lift can be mounted directly to the floor. With the optional wall bracket you can also secure this floor solution to the wall. Of course the lift can also be mounted on the Connect-it floor plate or a trolley.



## PFFE 7131 Motorized display lift



VOGEL'S HOLDING BV 2018 (c) All rights reserved  
Subject to printing errors, technical and price  
amendments  
Date: 15-02-2018

[www.vogels.com](http://www.vogels.com)

## Specifications

### Product specifications

Product type number	PFFE 7131
Article number (SKU)	7371314
Colour	Silver
EAN single box	8712285337185
Guarantee	5 years
Max. screen size (inch)	90
Max. weight load (kg)	120

### Technical specifications and dimensions

Min. height mid display (mm)	1300
Max. height mid display (mm)	1900

