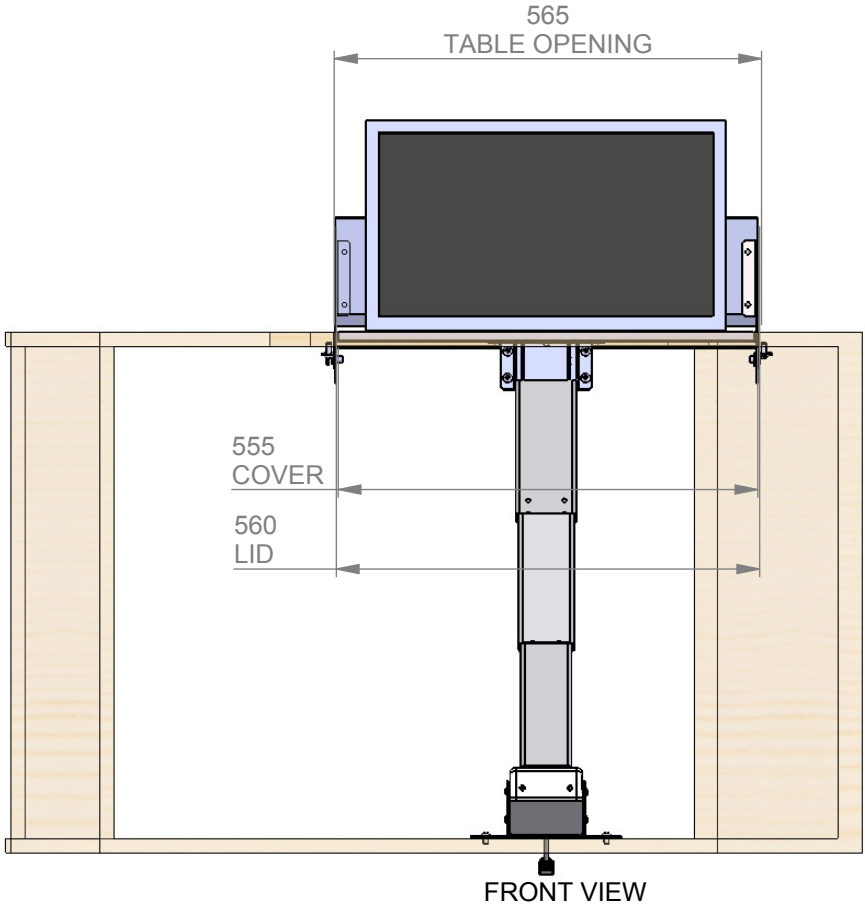
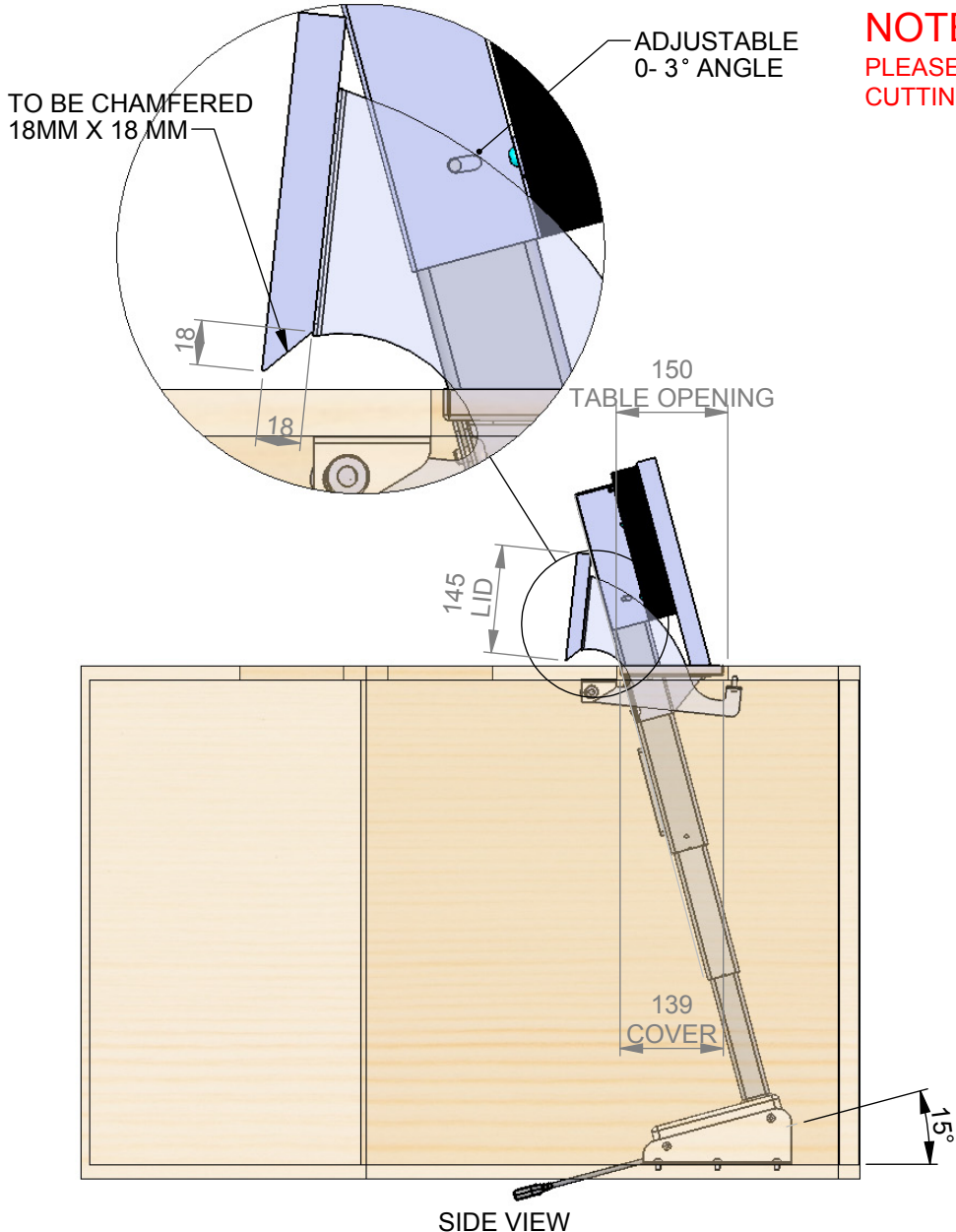


**NOTE: PRODUCT DIMENSIONS ARE SUBJECT TO CHANGE**  
PLEASE CALL US TO CONFIRM DIMENSIONS BEFORE PURCHASING, BUILDING FURNITURE,  
CUTTING INTO WALLS, CEILINGS OR FURNITURE OR PREPARING FOR INSTALLATION.



[www.ultraliftaustralia.com.au](http://www.ultraliftaustralia.com.au)

Phone: +613 9459 0873  
Fax: +613 9457 6686  
Email: [sales@ultraliftaustralia.com.au](mailto:sales@ultraliftaustralia.com.au)

**Comet II**

Updated: 1/10/12