

## PRODUCT FEATURES

### FREEFRAME FP7

Electric mobile stand for LCD/Plasma

W: [www.gilkon.com.au](http://www.gilkon.com.au)  
 E: [sales@gilkon.com.au](mailto:sales@gilkon.com.au)  
 P: (02) 99140900  
 F: (02) 99140901

## STANDARD FEATURES

- Electric powered lift extends to a maximum height of 2002mm (not including video camera mount) with a total stroke of 673mm.
- Mobile stand can support display units with mounting holes at a maximum of 850mm wide and 480mm high.
- 125mm lockable castors.
- Mobile stand can carry a maximum load of 55kg.
- Adjustable handles.
- Front mounted adjustable pen tray includes integrated up/down switch.
- Fold down stability mechanism on both feet provides added stability when the display is raised to the highest position.
- Built-in cable tray at the rear of the mobile stand for stowing cables. A four outlet power board is included within the tray.
- Integrated cable chain provided for cable management .

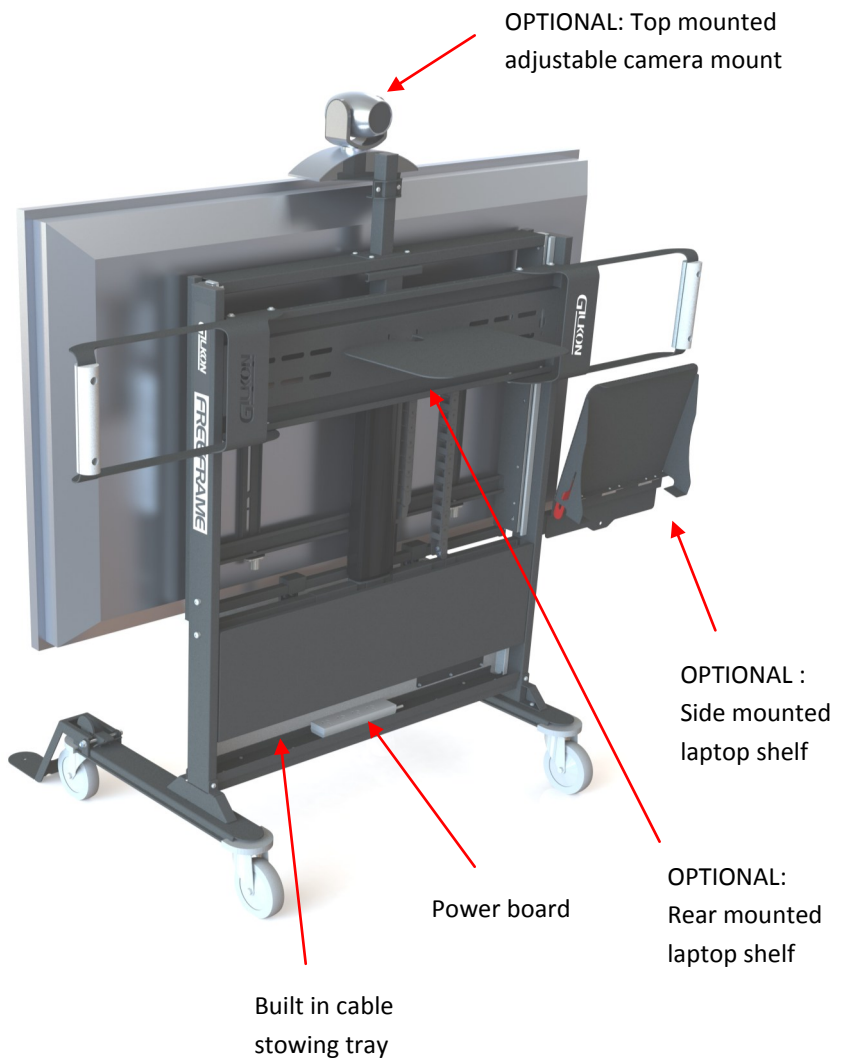
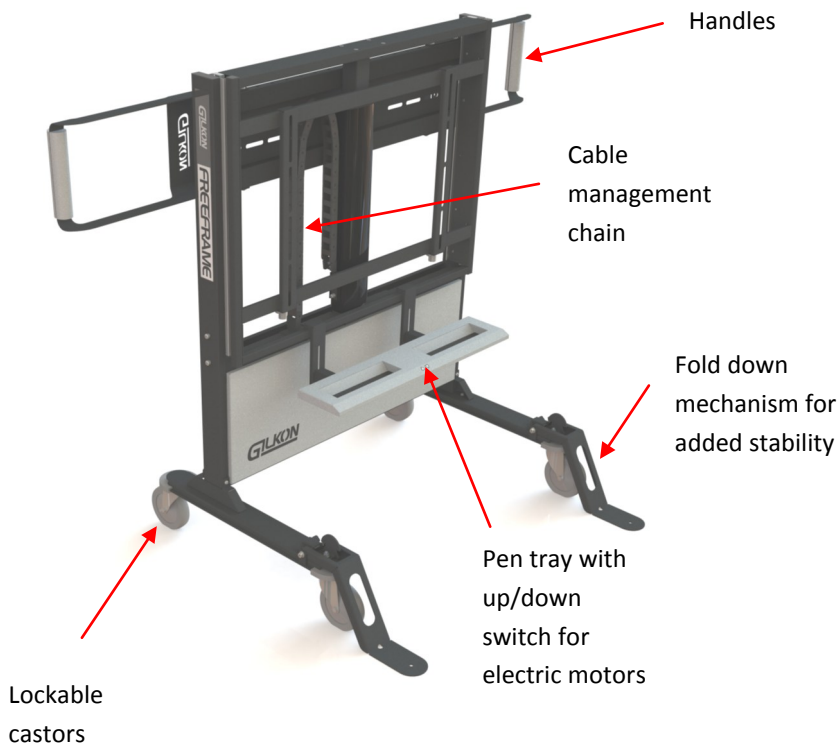


## OPTIONAL FEATURES

- Top mounted camera mount with height adjustability.
- Side mounted laptop shelf & support arm. Can be mounted on either side of the mobile stand.
- Rear mounted shelf.



NOTE: TV or camera do not come with the stand.



NOTE: TV or camera do not come with the stand.