

# UC-M100-T

## Crestron Flex M100-T – Tabletop UC Audio Conference System for Microsoft Teams®

- > The ultimate tabletop audio conferencing solution for Microsoft Teams®
- > Call, conference, and collaborate — all through one amazing tabletop device!
- > Native Microsoft Teams touch screen UX — provides a consistent user experience with simple operation and one-touch meeting joins
- > A complete kit solution — easy to specify and install
- > No custom design, programming, or software installation required!
- > Easy to provision and manage through Crestron® XiO Cloud™
- > Works natively with any Microsoft Teams account — no MCUs, gateways, or other add-ons needed!
- > Connects and communicates securely over any enterprise or SMB network
- > Exceptional full-duplex audio performance
- > Extremely natural 2-way wideband voice quality
- > Integrated 360° quad microphone array
- > High-powered full-range speaker
- > Limes Audio TrueVoice® AEC technology
- > High-visibility mic mute indication
- > Available add-on mic pods for extra coverage
- > 7" (178 mm) HD color touch screen
- > Active Directory® authentication and corporate directory access
- > Microsoft® Exchange and Office 365® integration
- > Onscreen calendaring and meeting management
- > Built-in PIR occupancy detector wakes the device and reports to Crestron Fusion®
- > Persistent occupancy awareness combining motion and voice detection
- > IoT cloud based provisioning and management
- > Enterprise-grade security
- > Power management and scheduling
- > PoE+ or AC line powered<sup>[1]</sup>
- > 100-240V universal power pack included
- > Optional 180° swivel mount kit available
- > Complete kit contains the Crestron Mercury® tabletop console, cables, power supply, and 1-year XiO Cloud Premium<sup>[2]</sup>

The Crestron Flex M100-T system (**UC-M100-T**) provides a complete audio conference room solution for use with the Microsoft Teams intelligent communications platform. It features the Crestron Mercury® Tabletop UC Audio Conference Console, which comprises a high-performance, full-duplex conferencing speakerphone and touch screen controller in one stunning tabletop device.

Crestron Flex transforms any meeting room, huddle space, or executive office into a highly effective collaboration space, enabling people to



### Crestron Flex

Crestron Flex is a comprehensive line of unified communications and collaboration solutions for the enterprise. Current options include conferencing and desk phone solutions for Microsoft Teams® and Skype® for Business, with future solutions coming soon for Zoom Rooms™ and Open UC (open-platform support for any web collaboration, conferencing, or telephony platform). From the desktop to the conference room and beyond, Crestron Flex delivers a distinctively simple and consistent user experience in all the places people work and meet.

Built on the IoT cloud based XiO Cloud™ platform, Crestron Flex empowers IT administrators and AV integrators to deploy, manage, monitor, and *evolve* thousands of networked UC devices — simply, quickly, and securely — all from a single dashboard. By standardizing on Crestron Flex, any organization can realize a more productive and stress-free workplace through greater acceptance and utilization of UC technology that's truly easy to use.

communicate and work together irrespective of location. Intuitive operation and exceptional full-duplex wideband audio afford a gratifying and productive meeting experience for all participants. Crestron Flex is secure, easy to deploy, and easy to manage, with extensive features and capabilities engineered to maximize the value of your investment through increased efficiency and productivity.

### Native Microsoft Teams® Experience

Microsoft Teams is the hub for teamwork in Office 365® software, engaging people and bringing them together through messaging, voice over IP, online meetings, conferencing, content sharing, and collaboration. The Flex M100-T system provides a native Microsoft Teams IC audio conferencing experience for any meeting space in an enterprise or SMB facility implementing a cloud based Microsoft Teams deployment.

# UC-M100-T Crestron Flex M100-T – Tabletop UC Audio Conference System for Microsoft Teams®

For applications requiring support for Skype for Business and other UC platforms, refer to the Crestron Mercury™ “Open UC” audio conference system, model [CCS-UC-1 W/PS](#). For a Microsoft Teams based video conferencing solution, refer to the Crestron Flex M150-T system, model [UC-M150-T](#).

## Crestron Mercury® UC Conference Console

Through one amazing tabletop device, the Flex M100-T system facilitates effortless audio conferencing and control, with simple operation and one-touch meeting joins through a feature-rich touch screen UX familiar to users of Microsoft Teams and Office 365 software. Onboard calendaring and corporate directory access provide knowledge workers with the tools they need to work smart and efficiently. Its advanced speakerphone delivers highly intelligible, echo-free voice clarity, and its striking yet functional design is perfectly at home on any conference table.

## Superb Sound Quality

The Crestron Flex system facilitates perfectly natural conversations with exceptional audio fidelity and pickup. The console's integrated 360° quad microphone array faithfully captures voices at every seat at the table. Its high-powered, full-range speaker produces full, rich and real sounding audio for both voice and program material. Limes Audio TrueVoice® AEC technology achieves transparent full-duplex performance free of distracting echo or noise. Wideband audio codec support allows for full-spectrum, bidirectional voice communication.

## Functional Flexibility

The console's unique sloped shape is not only attractive and unobtrusive — it's also functional, allowing for placement at either the center or head of the table. Large or long tables are easily accommodated by adding up to two mic pods ([CCS-UCA-MIC KIT](#) sold separately), which may be daisy-chained or individually home run to the main console.<sup>[1]</sup>

Tapping the mute bar on top of the console mutes the microphones. Its extra-bright, bi-color indicator bar ensures that the mic and mute status are clearly visible to the whole room. Each mic pod also includes a remote mute button and indicator for full room participation.

For ultimate versatility, the console can be powered using either PoE+ or the included 100-240V universal power pack.<sup>[1]</sup> It can sit freely on any tabletop surface, or be permanently attached to the table using the optional 180° swivel mount kit ([CCS-UCA-SMK](#) sold separately).

## HD Color Touch Screen

Its extra-large, high-definition touch screen makes the Flex M100-T system easy for everyone to use, whether starting or joining an online meeting, dialing or answering a phone call, or looking up contacts. The full-color user interface provides quick access and intuitive operation through a customizable, feature-rich UI familiar to users of Microsoft Teams and Office 365 software, so staff members can move effortlessly between using Crestron Flex in a meeting room and a desk phone or personal computer at their desk or workstation.

## Occupancy Sensing

Flex M100-T detects room occupancy using a patent-pending combination of motion and voice activity. A built-in passive

infrared detector initially senses when someone is present in front of the touch screen, and then voice activity is used to maintain the room's occupied status as long as anyone in the room is talking.

Occupancy detection provides several benefits, such as monitoring and reporting room usage to [Crestron Fusion®](#), or automating the system to power down to save energy when all parties leave the room. System power can also be managed according to a daily schedule.

## Network Management and Security

Crestron Flex is an enterprise-grade solution, engineered in partnership with Microsoft® to integrate seamlessly into any Microsoft Teams deployment. Crestron Flex is ideally equipped for mass deployment throughout any-sized corporate, university, medical, military, or governmental facility.

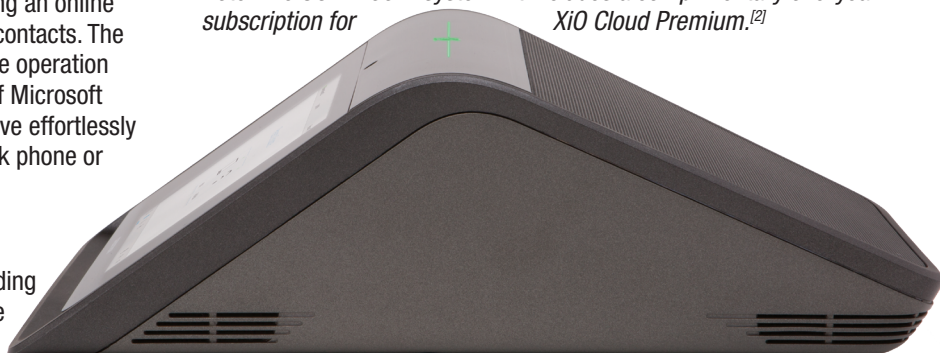
IoT cloud based provisioning enables complete network configuration in advance of hardware delivery, with touchless updates following installation. Crestron Fusion or XiO Cloud management enables monitoring and logging of room and equipment usage, as well as centralized help desk support. Advanced security features ensure privacy, reliability, and compliance with the organization's IT policies. PoE+ compatibility enables the Crestron Mercury console to be powered through its LAN connection.<sup>[1]</sup>

## XiO Cloud™ Connected

XiO Cloud is Crestron's unifying IoT cloud based platform for remotely provisioning, monitoring, and managing Crestron devices across an enterprise or an entire client base. XiO Cloud enables installers and IT managers to deploy and manage thousands of devices in the amount of time it would ordinarily take to manage just one. It provides a zero-touch solution that allows complete configuration of device settings without any hardware in hand, then simply connect each device on site and let XiO Cloud push out the settings, licenses, drivers, and firmware updates — automatically and securely — for a quick and painless, ready-to-use deployment.

Ongoing XiO Cloud services facilitate daily management and monitoring of every device through a single dashboard with comprehensive reporting and logging, live status viewing and alerts, performance metrics and analytics, scheduled actions and updates, and more. As requirements grow and evolve, new features and functionality can be added easily to one or many devices at any time without ever going on site. XiO Cloud is a subscription-based service offering an adaptable SaaS (Software as a Service) solution with graduated levels of functionality and unlimited scalability. For more information about XiO Cloud, please visit <https://www.crestron.com/xiocloud>.

*Note: The UC-M100-T system kit includes a complimentary one-year subscription for [XiO Cloud Premium](#).<sup>[2]</sup>*



## SPECIFICATIONS

### Included Components

**CCS-UC-1-T:** Crestron Mercury tabletop UC audio conference console for Microsoft Teams audio

**PW-2420RU:** Universal power pack for audio conference console<sup>[1]</sup>

**SW-XIOC-P-1:** XiO Cloud Premium Provisioning and Management Service, 1 year subscription<sup>[2]</sup>

Ethernet LAN cable, RJ45 male-to-male, 12 ft (3.66 m)

### Audio Conference Console

**Touch Screen:** 7 inch (178 mm) diagonal capacitive multi-touch TFT active matrix color LCD, 1280 x 800 pixels

**Mic Mute Symbol & Light Bar:** (2) Capacitive “buttons” with bi-color LEDs, either button toggles between mute and unmute, the symbol LED blinks green when the unit is powering up, all LEDs illuminate red when the mic is muted, all LEDs illuminate green when the mic is unmuted during an active call or online meeting

**Codec Support:** G.711, G.722, G.729, Siren 7, SILK

**AEC:** Limes Audio TrueVoice acoustic echo cancellation, automatic mic mixing, automatic gain control, and dynamic noise reduction; full-duplex IEEE 1329 Type 1 compliant

**Speaker:** Full range speaker, 11 Watts amplifier power, 95 dB SPL at 0.5 m maximum output, 90 Hz to 22 kHz frequency response

**Microphones:** 360° quad mic array, 20 ft (6 m) typical pickup range

**Extension Microphones:** Supports two mic pods, model [CCS-UCA-MIC KIT](#) (sold separately)

**Occupancy Sensor:** Patent-pending “Persistent Occupancy Awareness” combining passive infrared motion and voice activity detection, 6 ft (1.83 m) PIR range in front of touch screen, activates touch screen and display device and reports room occupancy to Crestron Fusion

**Ethernet:** 10/100 Mbps; enterprise grade security and management including IEEE 802.1X, Active Directory authentication, LDAP, Kerberos, SSL, TLS, SSH, SFTP (SSH File Transfer Protocol), SRTP, digest access authentication, password login, XiO Cloud client, Microsoft Intune® client; IEEE 802.3at Type 2 PoE+ compliant

**VoIP:** Microsoft Teams client; compatible with Office 365 cloud service; supports Enterprise Voice, Phone System, O365 modern authentication (limited), directory lookup, PSTN calling; DTMF tone generation (RFC 2833 & in-band), low-delay audio packet transmission, adaptive jitter buffers, packet loss concealment, comfort noise generator

### Power Options:

**PoE+:** IEEE 802.3at Type 2, Class 4 (25.5 W) PoE+ Powered Device<sup>[1]</sup>;

**24VDC:** 24 Volts DC via external 100-240V AC, 50/60 Hz power pack, model [PW-2420RU](#) (included)

**Dimensions:** 4.11 x 8.92 x 12.74 in (105 x 227 x 324 mm) HWD

Refer to the [CCS-UC-1-T](#) and [CCS-UCA-MIC KIT](#) spec sheets for additional specifications and compliances.

## MODELS & ACCESSORIES

### Available Models

**UC-M100-T:** Crestron Flex M100-T – Tabletop UC Audio Conference System for Microsoft Teams®

### Available Accessories

**CCS-UCA-SMK:** Swivel Mount Kit

**CCS-UCA-MIC KIT:** Microphone Pods, Set of 2

**GEN-SWPOE-16:** 16-Port Managed PoE Switch

**SW-XIOC-S Series:** XiO Cloud™ Standard Provisioning and Management Service for one device; 1, 2, or 3 year subscription

**SW-XIOC-P Series:** XiO Cloud™ Premium Provisioning and Management Service for one device; 1, 2, or 3 year subscription

**SW-FUSION-C-3:** Crestron Fusion® Cloud; 250 rooms; 3-year service, support, and updates

**SW-FUSION-P-L:** Crestron Fusion® On-premises; Unlimited rooms; lifetime service, support, and updates

### Notes:

1. When used without any microphone pods connected, the Crestron Mercury console may be powered using either PoE+ or the included power pack (model [PW-2420RU](#)). If one or two mic pods are connected, the console MUST be powered using the power pack. PoE+ cannot be used to power the console if any mic pods are connected. When using PoE+, make sure the network switch supports PoE+ (802.3at Type 2). Regular PoE (802.3af or 802.3at Type 1) cannot be used to power the console.
2. Complimentary XiO Cloud subscriptions are subject to the terms of the Crestron Cloudware License Agreement at <https://www.crestron.com/cloudwarelicensepdf>, as well as additional terms of the Crestron Cloudware License Agreement Addendum at <https://www.crestron.com/cloudwarelicenseaddendumpdf>, which control in any conflict with the Agreement. Complimentary subscriptions may be applied to new accounts only. New UC-M100-T systems may be added to existing XiO Cloud subscription accounts at a discounted rate. An additional purchase toward the existing subscription account term may be required. For more information, please contact [license@crestron.com](mailto:license@crestron.com).

This product may be purchased from select authorized Crestron dealers and distributors. To find a dealer or distributor, please contact the Crestron sales representative for your area. A list of sales representatives is available online at <https://www.crestron.com/How-To-Buy/Find-a-Representative> or by calling 855-263-8754.

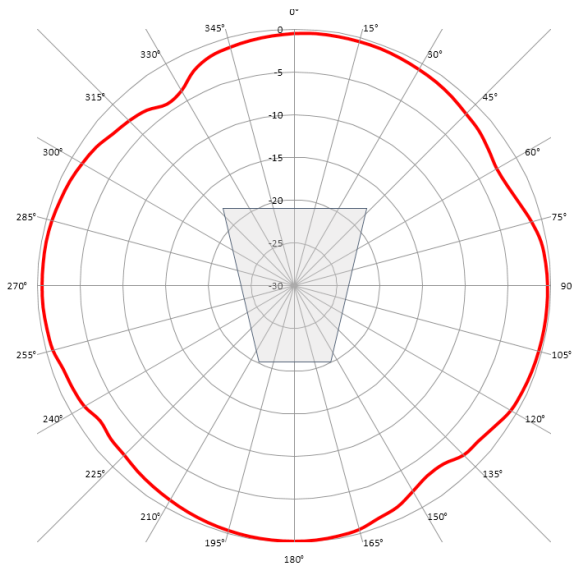
This product is covered under the Crestron standard limited warranty for 3 years, except for the touch screen display which is covered for 90 days. Refer to <https://www.crestron.com/warranty> for full details.

The specific patents that cover Crestron products are listed online at <https://www.crestron.com/legal/patents>.

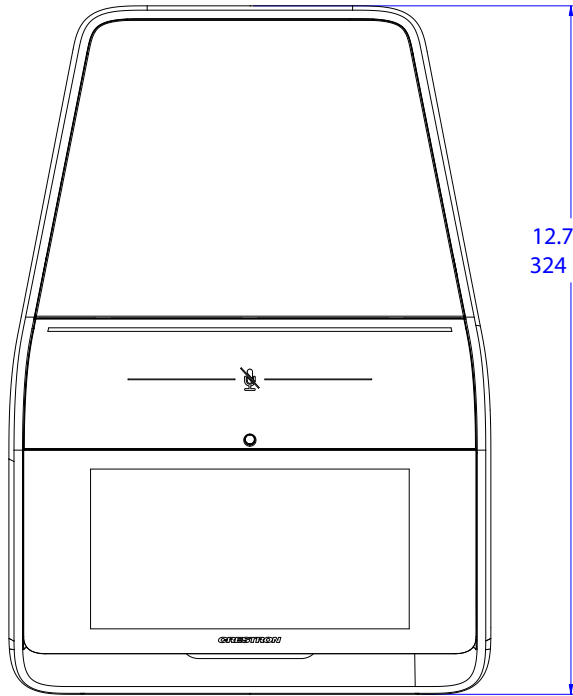
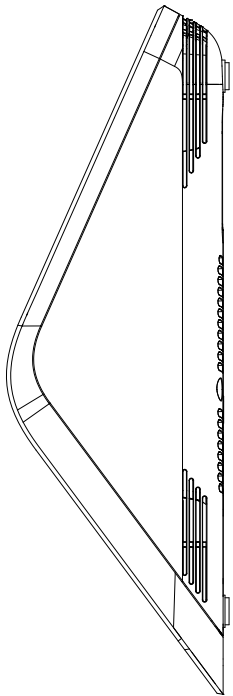
Certain Crestron products contain open source software. For specific information, visit <https://www.crestron.com/opensource>.

Crestron, the Crestron logo, Crestron Fusion, Crestron Mercury, and XiO Cloud are either trademarks or registered trademarks of Crestron Electronics, Inc. in the United States and/or other countries. TrueVoice is either a trademark or registered trademark of Limes Audio AB in the United States and/or other countries. Microsoft, Active Directory, Office 365, Microsoft Intune, Microsoft Teams, and Skype are either trademarks or registered trademarks of Microsoft Corporation in the United States and/or other countries. Zoom Rooms is either a trademark or registered trademark of Zoom Video Communications, Inc. in the United States and/or other countries. Other trademarks, registered trademarks, and trade names may be used in this document to refer to either the entities claiming the marks and names or their products. Crestron disclaims any proprietary interest in the marks and names of others. Crestron is not responsible for errors in typography or photography. Specifications are subject to change without notice. ©2018 Crestron Electronics, Inc.

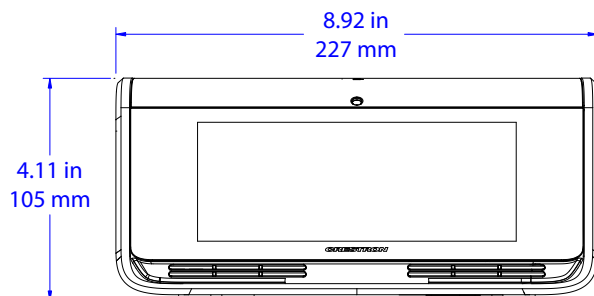
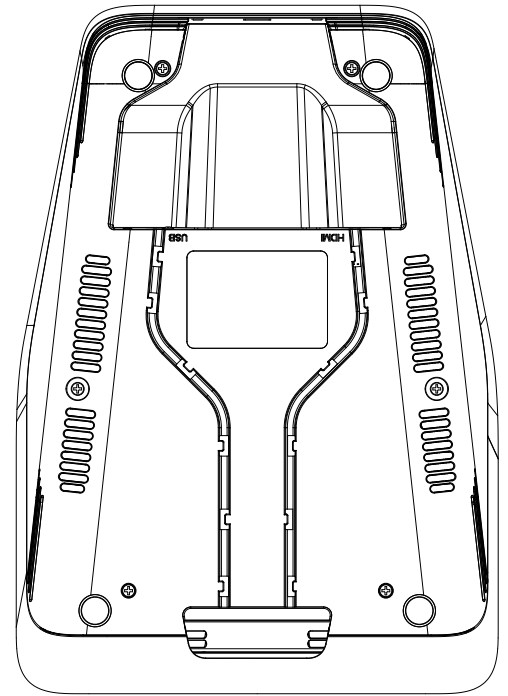
# UC-M100-T Crestron Flex M100-T – Tabletop UC Audio Conference System for Microsoft Teams®



Microphone Array  
Voice Bandwidth  
Pickup Polar Pattern



12.74 in  
324 mm



8.92 in  
227 mm

4.11 in  
105 mm

