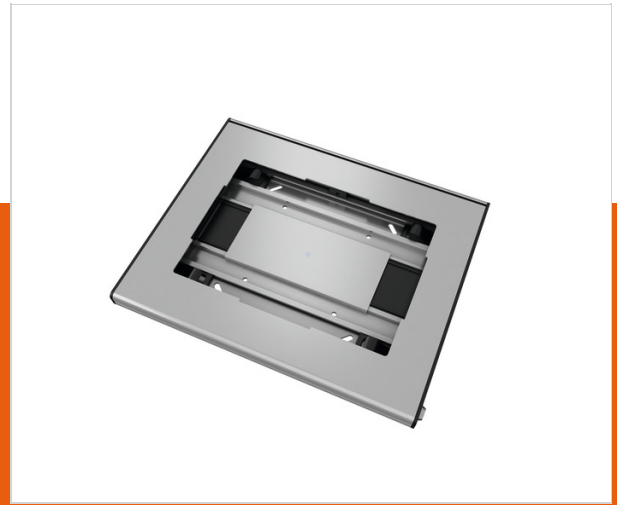


PTS 2010 Universal TabLock

Article number (SKU) 7495264
 Colour Silver

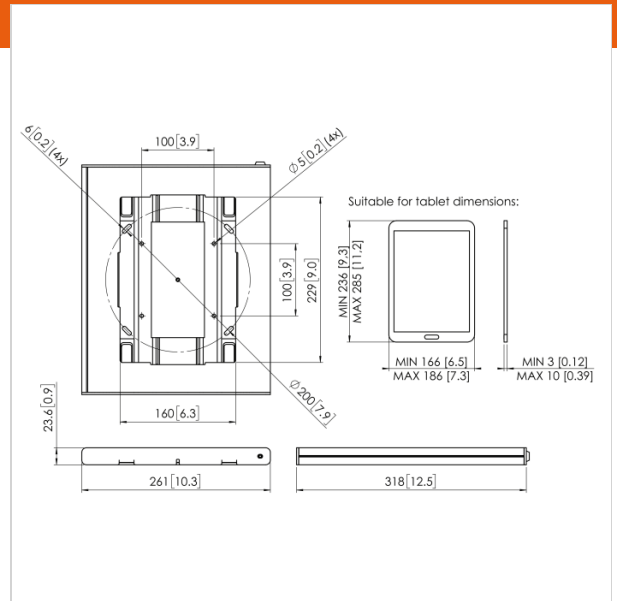


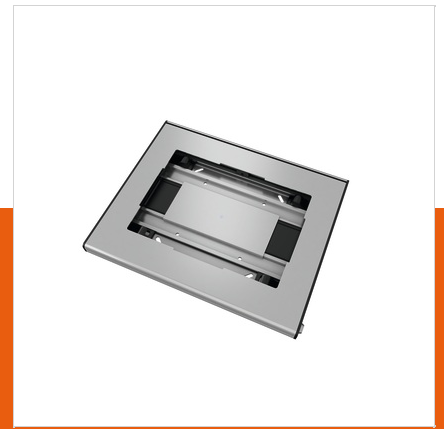
Safe enclosure for tablets

Tablets are a great way to provide information in public spaces, such as retail shops, museums, showrooms and exhibitions. However, they are easy to damage or steal, and there are so many different versions. Vogel's Professional developed the Universal TabLock® enclosure to protect a tablet while still allowing access to the touch screen. Because of the universal design, the Universal TabLock is perfect for iPads, Galaxy Tabs and any other tablet with a min. dimension of 236 x 166 x 3 mm and a max. dimension of 285 x 186 x 10 mm.

Sleek design and high-quality materials

A safe tablet enclosure does not have to be clunky and difficult to use. The sleek design of the Vogel's Universal TabLock® fits in with the high-end image you want to provide for your customers. It is easy to install and use, and does not compromise the user experience. The Universal TabLock® is made of high-quality materials: 3 mm steel and high-end aluminium. The enclosure can be mounted directly to the wall, or to any compatible Vogel's mounts. The top panel closes with a unique push-in lock, securing the tablet and preventing access to the mounting screws.





PTS 2010 Universal TabLock

VOGEL'S HOLDING BV 2018 (c) All rights reserved
Subject to printing errors, technical and price
amendments
Date: 04-07-2018

www.vogels.com

Specifications

Product specifications

Product type number	PTS 2010
Article number (SKU)	7495264
Colour	Silver
EAN single box	8712285331183
Guarantee	5 years
Min. screen size (inch)	9
Max. screen size (inch)	10
Max. weight load (kg)	3
Standard fixed VESA patterns	100 mm x 100 mm
Max. screen depth (mm)	10

Features

Tablet Brand and Model(s)	Universal 9-10 inch
Tablet Home button Hidden or Accessible	Both
Min./Max. tablet dimensions (mm)	Array Array Array

