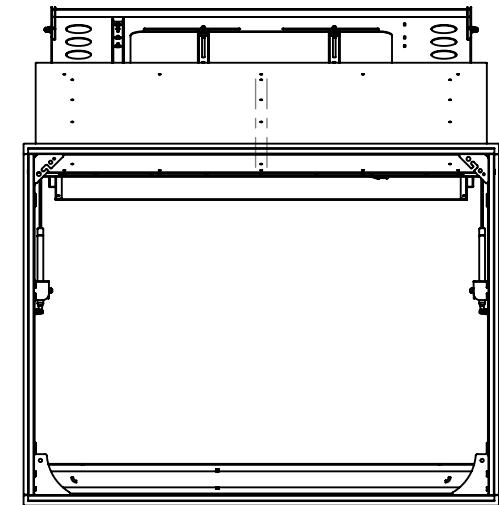
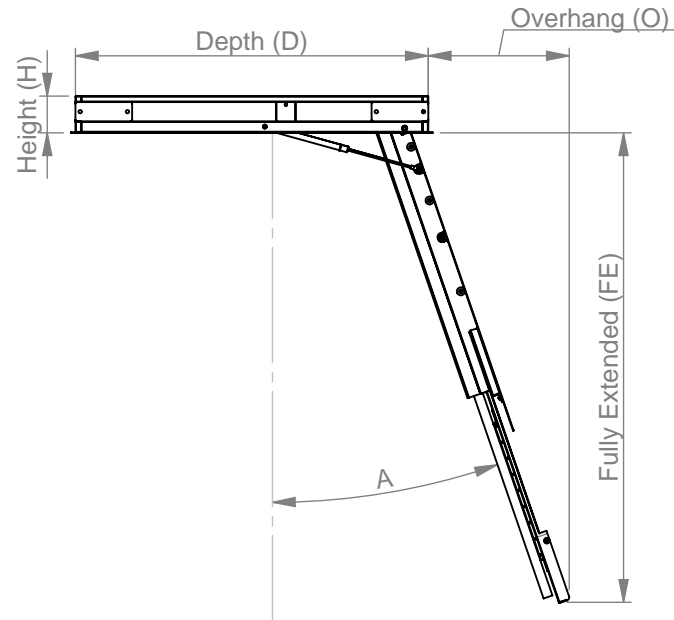
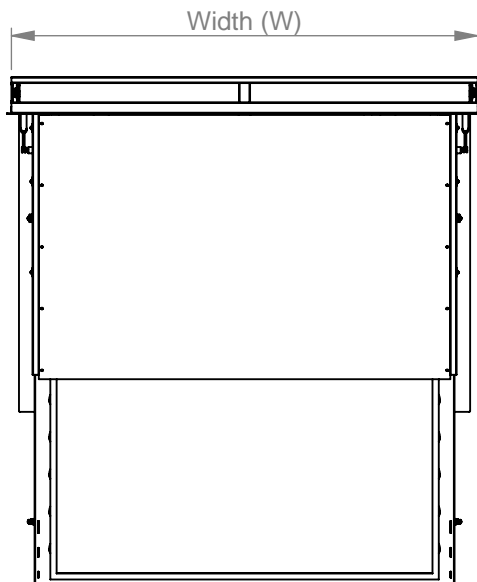
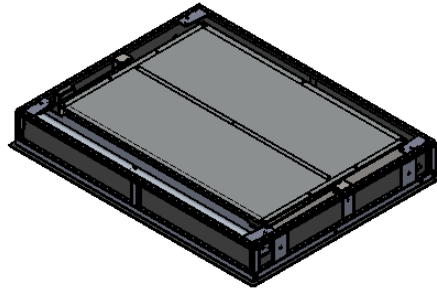


Model	Order Code	Angle	Dimensions (mm)					Cutout Size (mm)		Max Screen (mm)		
		A	H	W	D	FE	O	CW	CD	SD	SW	SH
Mercury Slim Drop 32	MSD-032	Mercury Slim Drops are custom made to suit your flatscreen TV. Dimensions will be provided for the TV make and model you specify at time of order.										
Mercury Slim Drop 40	MSD-040											
Mercury Slim Drop 42	MSD-042											
Mercury Slim Drop 46	MSD-046	Please refer to "Standard Mercury Slim Drop 46" Spec Sheet on the next page.										
Mercury Slim Drop 55	MSD-055	NOTE: DIMENSIONS ARE SUBJECT TO CHANGE PLEASE CALL US TO CONFIRM DIMENSIONS BEFORE PURCHASING, BUILDING FURNITURE, CUTTING INTO CEILINGS, OR PREPARING FOR INSTALLATION.										
Mercury Slim Drop 60	MSD-060											
Mercury Slim Drop 65	MSD-065											

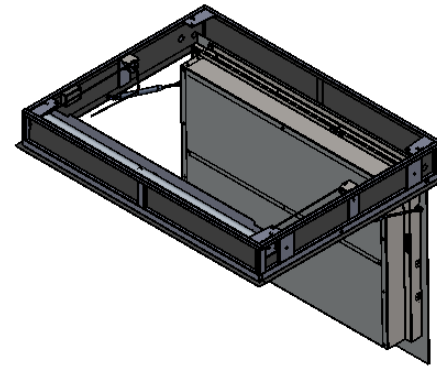


This work is copyright. Apart from any use permitted under the Copyright Act 1968, no part may be reproduced by any process, nor may any other exclusive right be exercised, without the permission of Ultralift Australia

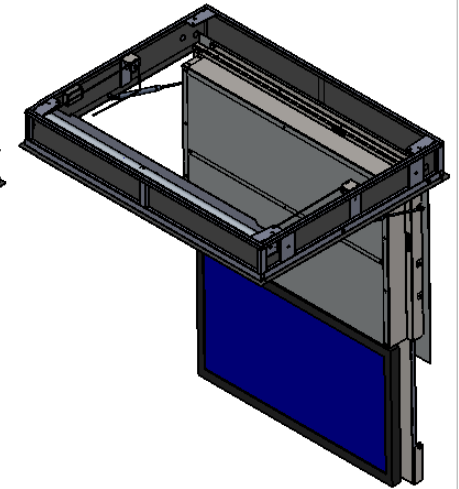
46inch	BRAND	MODEL	WIDTH	HEIGHT	DEPTH	WEIGHT
SAMSUNG	UA46ES7500M		1046.8	620.2	29.7	11.9
	UA46ES6800		1070.2	635.6	46.9	13.2
	UA46ES6700M		1070.2	635.6	46.9	13.2
	UA46ES6600M		1063.2	636.4	43.7	13.4
	UA46ES6200M		1062.8	631.1	46.9	13.2
	UA46ES5500M		1062.8	631.1	46.9	13.18
LG	47LM6700		1063	627	33.4	15.3
	47LM6200		1089	655	36.5	15.6
SONY	KDL46HX820		1083	663	27(25.3)	16.8
	KDL46HX750		1076	650	60(46.7)	14.6
	KDL46NX720		1084	663	27(25.3)	15.8
SHARP	LC46LE835X		1072	663	41	18.5
	LC46LE830X		1072	663	41	18.5
max			1089	663		
min			1046.8	620.2		



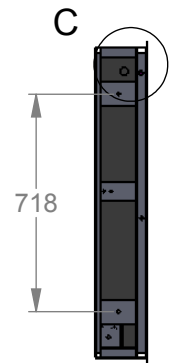
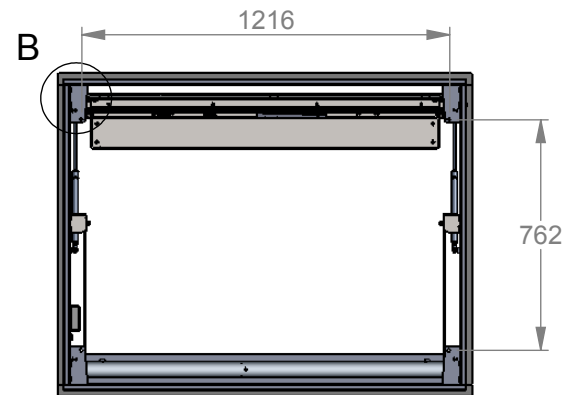
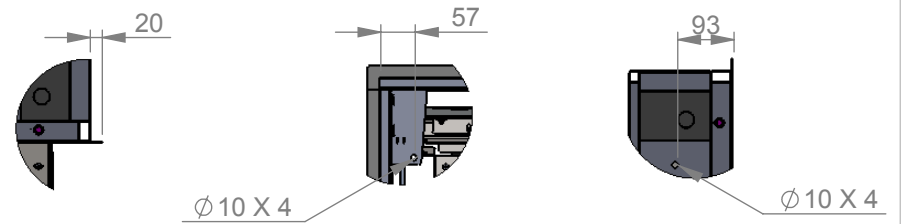
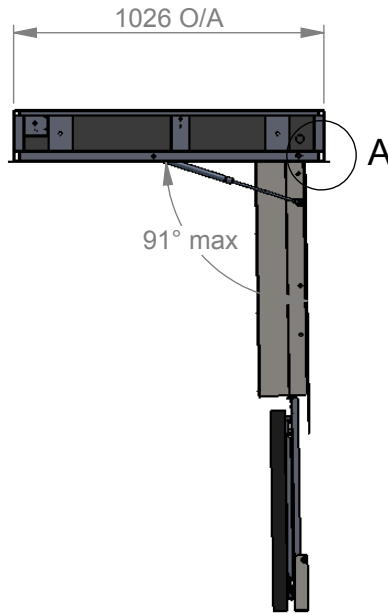
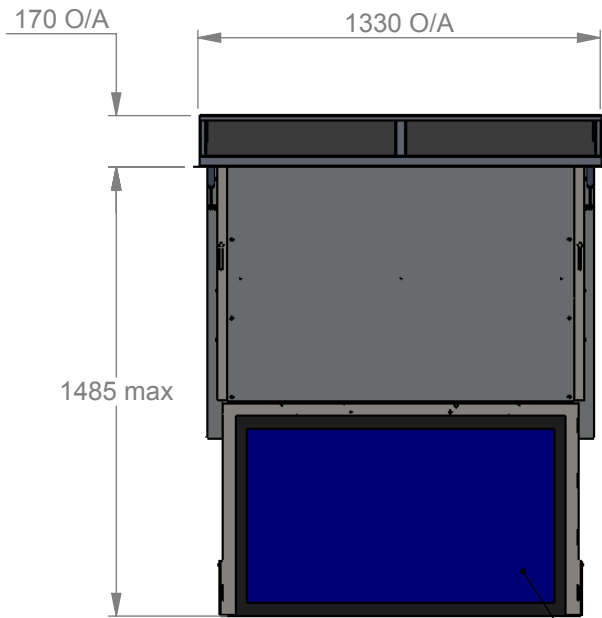
STAGE 0



STAGE 1



STAGE 2



MOUNTING HOLE DETAILS

46" TELEVISION
(see list above)



www.ultraliftaustralia.com.au

Phone: +613 9459 0873
Fax: +613 9457 6686
Email: sales@ultraliftaustralia.com.au

STANDARD MERCURY SLIM DROP 46

Finish: Powdercoated

Material: Steel

Updated: 3/04/2013