

Ergonomic storage

- Ergonomically designed for easy laptop storage and quick accessibility.
- Charge packs are stored in a separate rear section with lockable door.

Fully enclosed protection

- Heavy-duty chassis for ultra strong protection and years of continual use.
- Protective steel side panels to shield laptops.
- Prevents tampering and environmental damage such as dust, spilled fluids etc.

Heavy-duty security

- Greater level of security through 3-point locking system and fewer leverage points.

Advanced electrical safety

- Includes patented Eco System V3.0 with reverse EMF protection.
- Built in power supply for easy access to laptop power cords.
- Detachable power cord for easy replacement and compliance to OH&S requirements if damaged.

Smart laptop charging

- Timer controlled charging reduces power consumption and carbon emissions.
- Prevents overheating and overcharging of laptop batteries.

Effortless mobility

- Four swivel castors as standard inclusions.
- Optional factory fitted 170mm large cushion swivel castors available for ease of movement on thick carpet or across uneven surfaces.
- The compact and mobile design makes it easy to share one unit between multiple classrooms.
- Small foot print to conserve floor space.

Eco-friendly finishing

- The entire range of Lock & Dock laptop trolleys are finished using eco-friendly powder coating which is lead free. Powder coating is the classroom safe finishing process with no dangerous fumes.
- All Gilkon laptop security cabinets and trolleys include a timer to preserve electricity and provide better value for the user over the life of the product. There are no lead solder joints in the timer system.

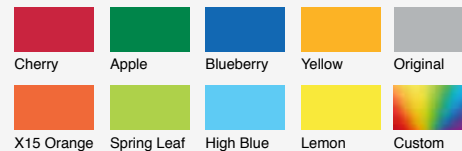
Delivered fully assembled

- This is a security product and it is our belief that the assembly of these products is an important part of the quality process to ensure that the security objectives are achieved. To this end, all Gilkon security products are delivered fully assembled to ensure that the final product complies with the requirements.
- Includes safety brakes on castors.

Choice of five colours*

- The entire range of Lock & Dock laptop trolleys and laptop cabinets are available in a range of Healthy Choice colours which utilise eco-friendly powder coating technology.
- Colours include Cherry, Apple, Blueberry, Lemon & Original Silver.

*Coloured exterior includes door panels only.



Store, transport and charge in one secure, locked cabinet. The all-metal construction gives premium protection. Storage bays hold up to 28 large laptops or ultra portable notebook computers.



**Australian
Made & Owned**

Dimensions and weight

(HxWxD)

Trolley: 1201mm x 1050mm x 650mm

Storage Bay: 410mm x 60mm x 320mm

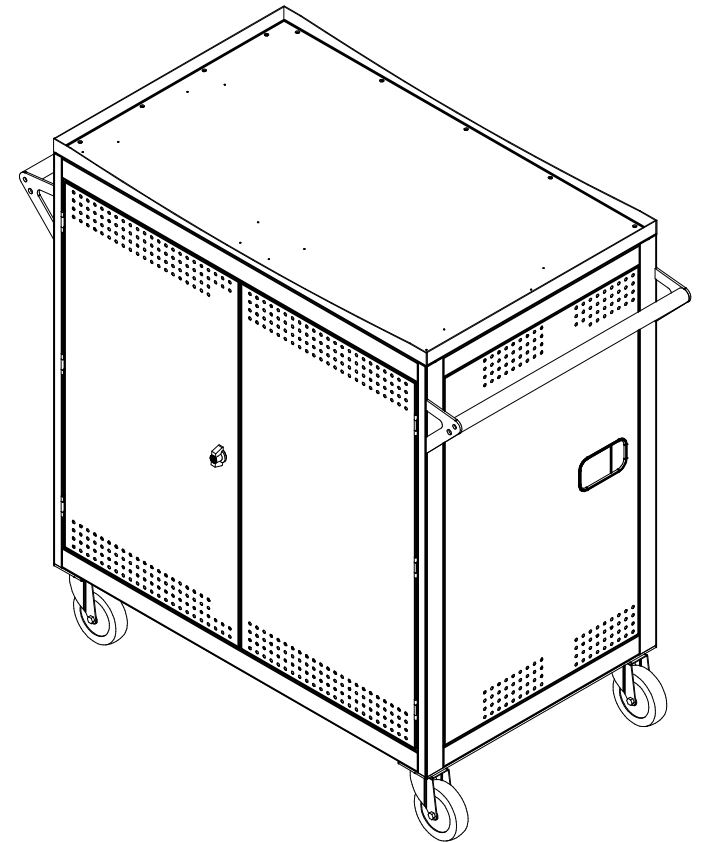
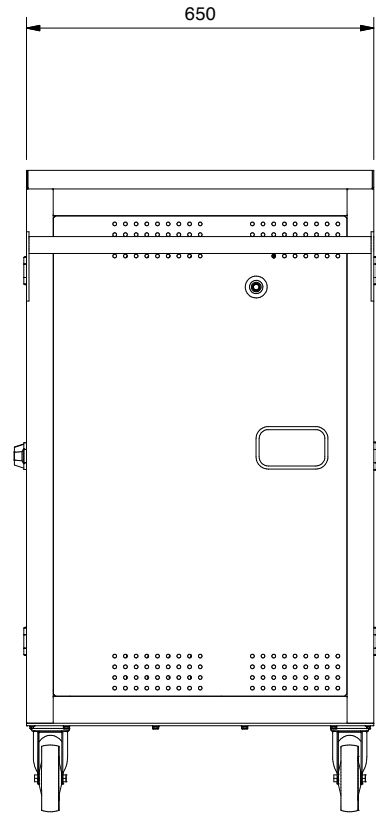
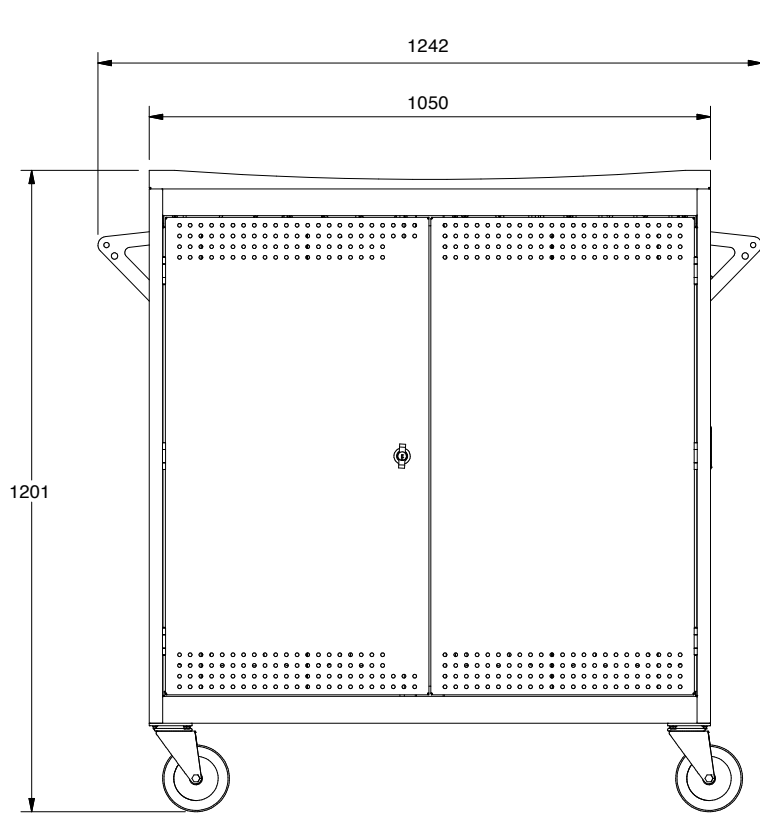
Trolley Weight: 138 Kg

Specifications subject to change
© Wilson & Gilkes Pty Ltd - 2012

28 Bay PC Vault Features & Benefits

Wilson & Gilkes Pty Ltd
337-349 Newbridge Road, Moorebank NSW 2170
Tel: (02) 9914 0900 Fax: (02) 9914 0901
E-Mail: sales@gilkon.com.au www.lockanddock.com.au

LOCK&DOCK
by **GILKON**



Storage Bay Size

(HxWxD)

410mm x 60mm x 320mm

Mass=138kg

Specifications subject to change
© Wilson & Gilkes Pty Ltd - 2012

28 Bay PC Vault Dimensions

Wilson & Gilkes Pty Ltd
337-349 Newbridge Road, Moorebank NSW 2170
Tel: (02) 9914 0900 Fax: (02) 9914 0901
E-Mail: sales@gilkon.com.au www.lockanddock.com.au

LOCK&DOCK
by **GILKON**