

SONY

make.believe

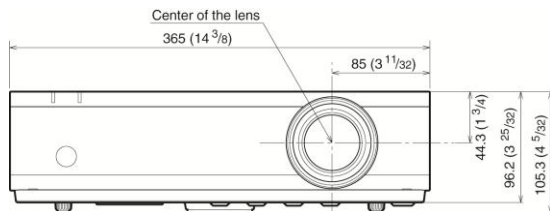
Data Projector VPL-EW246

Key Features

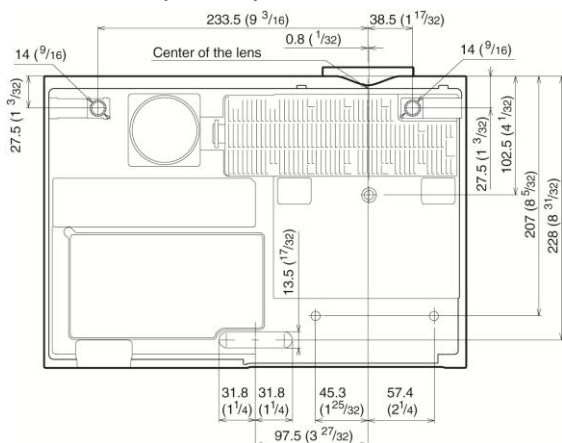
- 3,100 lumens (ISO 21118)
- Native WXGA (1,280x800) resolution
- High contrast ratio
- BrightEra® Panel
- Flexible 1.6x manual zoom standard lens
- Long-lasting lamp
Recommended lamp replacement time 7000h (low mode)
- Synchronized lamp and filter maintenance cycle
- Energy efficient design
 - Auto power saving mode
 - Blank with lamp dimming
 - 4 lamp mode (High, Std, Low, Auto*)
 - *Auto lamp control by picture brightness
 - ECO MODE key
- Convenient terminals including HDMI, RS-232C and RJ-45
- 16W Speaker
- USB display
- USB media viewer
- PC Wireless capability (option)
- Tablet Device & Smart Phone connection (wireless)

Dimensions (Front)

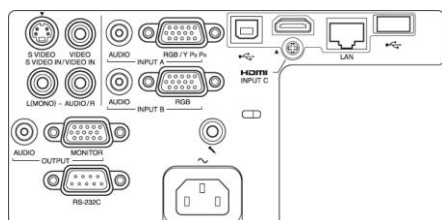
Unit: mm (inches)



Dimensions (Bottom)



Connector Panels



WXGA / 3,100 lm

Optical		
Light Output / Color Light Output		3100 lumens (Lamp mode: High) 2000 lumens (Lamp mode: Standard) 1600 lumens (Lamp mode: Low)
LCD Panels		0.59"x3 BrightEra LCD Panel
Panel Display Resolution		WXGA (1280x800 dots)
Contrast Ratio		2,300:1 (Full white/full black)* ¹
Light Source		Ultra high-pressure mercury lamp 210 W type
Recommended Lamp Replacement Time* ²		3000H (Lamp mode: High) 5000H (Lamp mode: Standard) 7000H (Lamp mode: Low)
Filter Cleaning Cycle* ²		Max. 7000H Same time as the lamp replacement is recommended
Projection Lens	Zoom / Focus	Approx. 1.6x Manual Zoom / Manual Focus
	Throw Ratio	1.40:1 to 2.27:1
Screen Size		30" to 300"
Interface		
Computer and Video Input/Output	INPUT A	Mini D-sub 15-pin (RGB/Y Pb Pr) Audio: Stereo mini jack
	INPUT B	Mini D-sub 15-pin (RGB) Audio: Stereo mini jack
	INPUT C	HDMI® (Digital RGB/Y Pb Pr, Digital Audio) (HDCP support)
	VIDEO IN	Pin Jack Audio : Pin jack (x2) (shared with S VIDEO IN)
	S VIDEO IN	Mini DIN 4-pin Audio : Pin jack (x2) (shared with VIDEO IN)
	Monitor OUT	Mini D-sub 15-pin (from INPUT A and INPUT B)
	Audio OUT	Stereo mini jack (variable out)* ³
Other Signal Input/Output	RS-232C	D-sub 9-pin (male)
	LAN	RJ-45, 10BASE-T/100BASE-TX
	USB	Type-A, Type-B
	Microphone input	Mini jack
General		
Speaker		16W (mono)
Scanning Frequency		H: 14 to 93 kHz, V: 47 to 93 Hz
Display Resolution	Computer Signal Input	Maximum display resolution : UXGA 1600x1200 dots
	Video Signal Input	Video (Composite), 15k (480/60i, 575/50i), DTV (480/60p, 575/50p, 720/60p, 720/50p, 1080/60i, 1080/50i, 1080/60P, 1080/50P)
Color System		NTSC3.58, PAL, SECAM, NTSC4.43, PAL-M, PAL-N
UPC Code		0 27242 86831 1
Power Requirements		AC 100 V to 240 V, 3.2 A to 1.3 A, 50 Hz/60 Hz
Power Consumption		311 W (AC 100 V-120 V) 299 W (AC 220 V-240 V)
Standby Mode Power Consumption		5.9 W (Std) / 0.5 W (Low) (AC 100V-120 V) 5.9 W (Std) / 0.5 W (Low) (AC 220V-240 V)
Dimensions (WxHxD) (without protrusion)		365 x 96.2 x 252 mm 14 3/8 x 3 25/32 x 9 29/32 "
Mass		3.9 kg / 8 lb 9 oz
Optional Accessories		
Replacement Lamp		LMP-E212
USB wireless module		IFU-WLM3
Service Parts		
Replacement Filter		4-426-702-01 (FILTER) (Filters are cleanable)
Replacement Remote		1-490-463-11 (RM-PJ8)

*1 The value is average with lamp dimming.

*2 The figures are expected maintenance time and not guaranteed. They will depend on the environment or how the projector is used.

*3 Works as an audio switcher function. Output from a selected channel, not available in standby.

For more information, visit: www.sony.com/projectors